



# PROMAX USA

## Professional Tools

Developed in the USA some 26 years ago, PROMAX USA Tools have always subscribed to the highest industry standards to meet with the demands of professionals in the diverse industries of Automotive, Oil & Gas, Mining, Ship Building and Manufacturing.

Promax USA Chrome and Impact Sockets & Accessories are widely recognized and quoted as the standards by which others are judged. Made to exacting specifications, the design, materials and processes are painstakingly monitored to ensure you have the best. Our much applauded IMPACT range is forged from chrome-molybdenum alloy steel, renowned for its strength and durability. The integrity of which is assured in our drop-forged process and precise application of heat and surface durability. The application of heat and surface hardening treatments to delivery sockets for maximum material strength, hardness and surface durability. PROMAX Impact Sockets are made to federal Specification GGG-W-660A and DIN 3121 & 3219.



**WARNING!**

Wear safety goggles at all time. (User and bystanders). Do not use chrome or handtools with power wrenches  
Use only impact sockets and accessories with power impact wrenches

PROMAX

**TORQUE  
WRENCH**



# TORQUE WRENCH

## ► Adjustable Torque Wrench



### Spare Parts



| Part No.   | Square Drive | Range      | L (mm) | Weight (kg) | Part No.    | Square Drive | Range         | L (mm) | Weight (kg) |
|------------|--------------|------------|--------|-------------|-------------|--------------|---------------|--------|-------------|
| PTW-N1430  | 1/4"         | 6-30Nm     | 350    | 0.74        | PTW-N14250F | 1/4"         | 40-250in.lb   | 350    | 0.74        |
| PTW-N3830  | 3/8"         | 6-30Nm     | 350    | 0.74        | PTW-N38250F | 3/8"         | 40-250in.lb   | 350    | 0.74        |
| PTW-N38110 | 3/8"         | 19-110Nm   | 385    | 0.96        | PTW-N38080F | 3/8"         | 15-80ft.lb    | 385    | 0.96        |
| PTW-N12110 | 1/2"         | 19-110Nm   | 385    | 0.96        | PTW-N12080F | 1/2"         | 15-80ft.lb    | 385    | 0.96        |
| PTW-N12210 | 1/2"         | 40-210Nm   | 535    | 1.70        | PTW-N12150F | 1/2"         | 30-150ft.lb   | 535    | 1.70        |
| PTW-N12350 | 1/2"         | 70-350Nm   | 645    | 2.54        | PTW-N12250F | 1/2"         | 50-250ft.lb   | 645    | 2.54        |
| PTW-N34500 | 3/4"         | 100-500Nm  | 865    | 3.66        | PTW-N34300F | 3/4"         | 50-300ft.lb   | 865    | 3.66        |
| PTW-N34700 | 3/4"         | 140-700Nm  | 1092   | 5.94        | PTW-N34600F | 3/4"         | 100-600ft.lb  | 1092   | 5.94        |
| PTW-N34980 | 3/4"         | 140-980Nm  | 1230   | 6.46        | PTW-N34700F | 3/4"         | 100-700ft.lb  | 1230   | 6.46        |
| PTW-N1980  | 1"           | 140-980Nm  | 1230   | 6.46        | PTW-N1700F  | 1"           | 100-700ft.lb  | 1230   | 6.46        |
| PTW-N11500 | 1"           | 300-1500Nm | 1700   | 11.58       | PTW-N11000F | 1"           | 200-1000ft.lb | 1700   | 11.58       |

## ► Bi-Directional Torque Wrench



### Spare Parts



| Part No.   | Square Drive | Range     | L (mm) | Weight (kg) | Part No.   | Square Drive | Range        | L (mm) | Weight (kg) |
|------------|--------------|-----------|--------|-------------|------------|--------------|--------------|--------|-------------|
| PDT-N3880  | 3/8"         | 15-80Nm   | 383    | 0.74        | PDT-3860F  | 3/8"         | 10-60ft.lb   | 383    | 0.74        |
| PDT-N38110 | 3/8"         | 19-110Nm  | 383    | 0.96        | PDT-3880F  | 3/8"         | 15-80ft.lb   | 383    | 0.96        |
| PDT-N12210 | 1/2"         | 40-210Nm  | 535    | 1.70        | PDT-12150F | 1/2"         | 30-150ft.lb  | 535    | 1.70        |
| PDT-N12350 | 1/2"         | 70-350Nm  | 645    | 2.54        | PDT-12250F | 1/2"         | 50-250ft.lb  | 645    | 2.54        |
| PDT-N34500 | 3/4"         | 100-500Nm | 865    | 3.66        | PDT-34300F | 3/4"         | 50-300ft.lb  | 865    | 3.66        |
| PDT-N34700 | 3/4"         | 140-700Nm | 1088   | 5.94        | PDT-34600F | 3/4"         | 100-600ft.lb | 1088   | 5.94        |
| PDT-N34980 | 3/4"         | 140-980Nm | 1230   | 6.46        | PDT-34700F | 3/4"         | 100-700ft.lb | 1230   | 6.46        |
| PDT-N1980  | 1"           | 140-980Nm | 1230   | 6.46        | PDT-1700F  | 1"           | 100-700ft.lb | 1230   | 6.46        |



#### WARNING!

Wear safety goggles at all time. (User and bystanders). Do not use chrome or handtools with power wrenches  
Use only impact sockets and accessories with power impact wrenches

# TORQUE WRENCH

## ► Bi-Directional Torque Wrench



### Spare Parts



| Part No.    | Square Drive | Range      | L (mm) | Weight (kg) |
|-------------|--------------|------------|--------|-------------|
| PPR-N1405   | 1/4"         | 1-5Nm      | 200    | 0.36        |
| PPR-N1430   | 1/4"         | 6-30Nm     | 257    | 0.44        |
| PPR-N38110  | 3/8"         | 20-110Nm   | 436    | 1.12        |
| PPR-N12210  | 1/2"         | 40-210Nm   | 495    | 1.47        |
| PPR-N12350  | 1/2"         | 70-350Nm   | 560    | 1.62        |
| PPR-N34450  | 3/4"         | 75-450Nm   | 815    | 3.30        |
| PPR-N34800  | 3/4"         | 100-800Nm  | 1000   | 7.08        |
| PPR-N341500 | 3/4"         | 300-1500Nm | 1700   | 11.80       |

| Part No.    | Square Drive | Range         | L (mm) | Weight (kg) |
|-------------|--------------|---------------|--------|-------------|
| PPR-1450I   | 1/4"         | 10-50in.lb    | 200    | 0.36        |
| PPR-14200I  | 1/4"         | 40-200in.lb   | 257    | 0.44        |
| PPR-38100F  | 3/8"         | 10-100ft.lb   | 436    | 1.12        |
| PPR-12150F  | 1/2"         | 30-150ft.lb   | 495    | 1.47        |
| PPR-12250F  | 1/2"         | 30-250ft.lb   | 560    | 1.62        |
| PPR-34300F  | 3/4"         | 50-300ft.lb   | 815    | 3.30        |
| PPR-34600F  | 3/4"         | 100-600ft.lb  | 1000   | 7.08        |
| PPR-341000F | 3/4"         | 200-1000ft.lb | 1700   | 11.80       |

## ► Adjustable Torque Wrench With Flexible Head



### Spare Parts



| Part No.    | Square Drive | Range    | L (mm) | Weight (kg) |
|-------------|--------------|----------|--------|-------------|
| PHPR-N1405  | 1/4"         | 1-5Nm    | 215    | 0.38        |
| PHPR-N1430  | 1/4"         | 6-30Nm   | 272    | 0.46        |
| PHPR-N38110 | 3/8"         | 20-110Nm | 460    | 1.20        |
| PHPR-N12210 | 1/2"         | 40-210Nm | 515    | 1.60        |
| PHPR-N12350 | 1/2"         | 70-350Nm | 583    | 1.77        |

| Part No.    | Square Drive | Range       | L (mm) | Weight (kg) |
|-------------|--------------|-------------|--------|-------------|
| PHPR-1450I  | 1/4"         | 10-50in.lb  | 215    | 0.38        |
| PHPR-14200I | 1/4"         | 40-200in.lb | 272    | 0.46        |
| PHPR-38100F | 3/8"         | 10-100ft.lb | 460    | 1.20        |
| PHPR-12150F | 1/2"         | 30-150ft.lb | 515    | 1.60        |
| PHPR-12250F | 1/2"         | 30-250ft.lb | 583    | 1.77        |

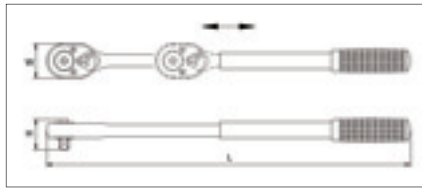


### WARNING!

Wear safety goggles at all time. (User and bystanders). Do not use chrome or handtools with power wrenches  
Use only impact sockets and accessories with power impact wrenches

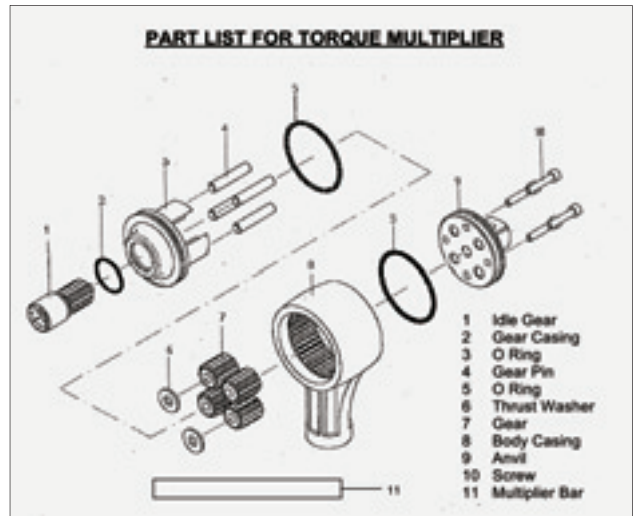
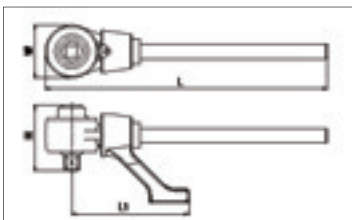
# TORQUE WRENCH

## ► Extension Ratchet Handle



| Part No. | Square Drive | Teeth | W mm | H mm | L mm    | Weight kg |
|----------|--------------|-------|------|------|---------|-----------|
| PEP-1224 | 1/2"         | 24    | 47   | 43   | 330/485 | 1.04      |
| PEP-1248 | 1/2"         | 48    | 47   | 43   | 330/485 | 1.04      |

## ► Torque Multiplier



| Part No.   | Square Drive   | L (mm) | L1 (mm) | W (mm) | H (mm) | Weight (kg) |
|------------|--|--------|---------|--------|--------|-------------|
| PMT-F12M34 | Input : 1/2" F<br>Max : 500Nm / 365 Ft-Lb<br>Output : 3/4" M<br>Max : 1500Nm / 1100Ft-Lb<br>Ratio : Output / Input = 3/1 | 420    | 157     | 73     | 84     | 3.09        |
| PMT-F34M1  | Input : 3/4" F<br>Max : 1000Nm / 730 Ft-Lb<br>Output : 1" M<br>Max : 3000Nm / 2200Ft-Lb<br>Ratio : Output / Input = 3/1  | 500    | 206     | 92     | 104    | 6.49        |

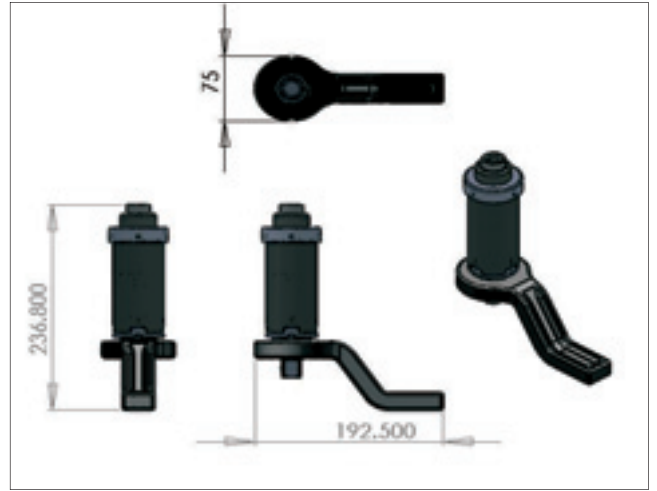


### WARNING!

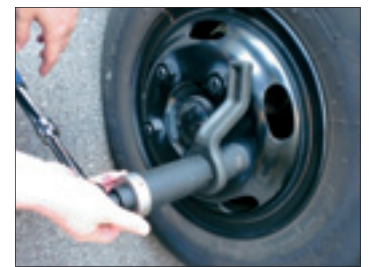
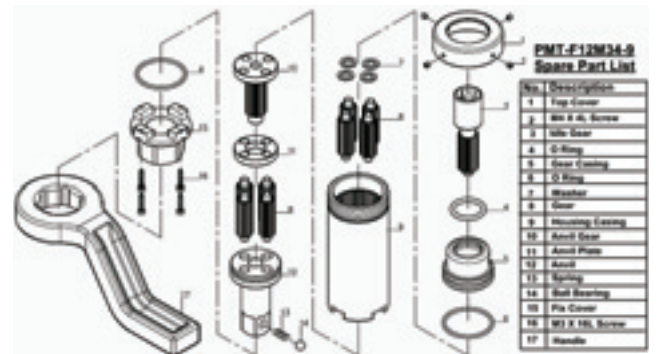
Wear safety goggles at all time. (User and bystanders). Do not use chrome or handtools with power wrenches  
Use only impact sockets and accessories with power impact wrenches

# TORQUE WRENCH

## ► Torque Multiplier X 9



| Part No.     | Square Drive   | Weight (kg) |
|--------------|--|-------------|
| PMT-F12M34-9 | Input : 1/2" F<br>Max : 160Nm / 120 Ft-Lb<br>Output : 3/4" M<br>Max : 1500Nm / 1100Ft-Lb<br>Ratio : Output / Input = 9/1 | 4.00        |



**WARNING!**

Wear safety goggles at all time. (User and bystanders). Do not use chrome or handtools with power wrenches  
Use only impact sockets and accessories with power impact wrenches

# TORQUE WRENCH

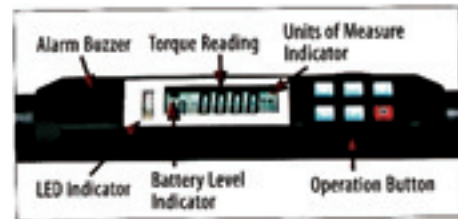
## ► Digital Adjustable Torque Wrench



| Part No.     | Square Drive | Range    | L (mm) | Weight (kg) |
|--------------|--------------|----------|--------|-------------|
| PMET-38100N  | 3/8"         | 10-100Nm | 440    | 0.95        |
| PMET-12100NS | 1/2"         | 10-100Nm | 440    | 1.06        |
| PMET-12200N  | 1/2"         | 20-200Nm | 580    | 1.35        |

### Specifications

- Accuracy :  $\pm 1\%$
- Memory : 10 Readings
- Unit Selection : Nm, ft.lb, in.lb, kg-m
- Operating Temperature :  $-15^{\circ}\text{C} \sim 55^{\circ}\text{C}$
- Storage Temperature :  $-40^{\circ}\text{C} \sim 85^{\circ}\text{C}$
- Humidity : 0-90%
- Battery : 1.5V AA Batteries \* 3 ( Do not use low self-discharge battery )
- Warranty : 1 year in normal statement.



## ► Adjustable Torque Wrench (For Pipe)



| Part No.  | Square Drive | Range     | L (mm) | Weight (kg) |
|-----------|--------------|-----------|--------|-------------|
| PPIT-350N | 2-1/2"       | 70-350Nm  | 825    | 3.70        |
| PPIT-500N | 2-1/2"       | 100-500Nm | 920    | 4.30        |



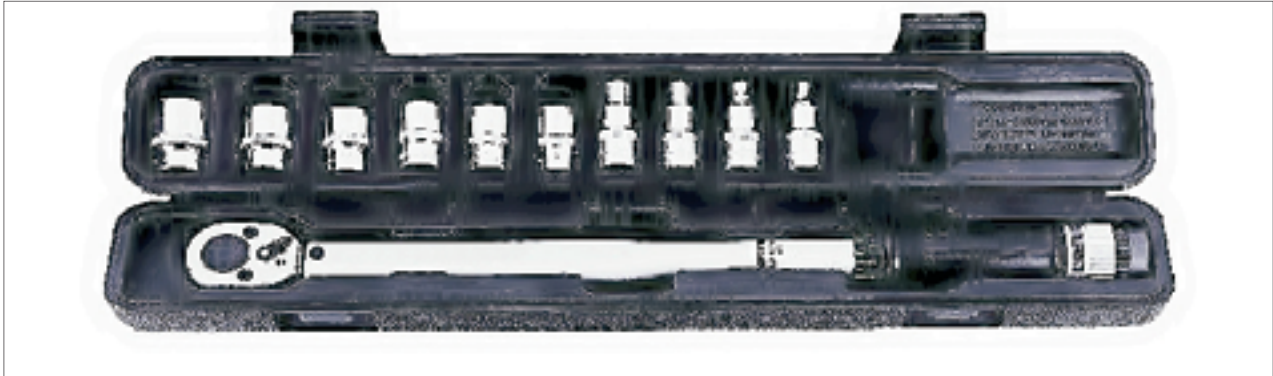
### WARNING!

Wear safety goggles at all time. (User and bystanders). Do not use chrome or handtools with power wrenches  
Use only impact sockets and accessories with power impact wrenches



# TORQUE WRENCH

## ► Micrometer Torque Wrench Set (11 pcs/set)



| Part No.    | Square Drive | Range      | Contents   |
|-------------|--------------|------------|--|
| PNTP-110N11 | 3/8"         | 19-110Nm   | 1 pce - 3/8"Dr Micrometer Torque Wrench<br>6 pcs - 3/8"Dr Sockets : 10,12,14,17,19,21 mm<br>4 pcs - 3/8"Dr Hex Socket Bit : 4,5,6,8 mm |
| PNTP-80F11  | 3/8"         | 15-80ft.lb | 1 pce - 3/8"Dr Micrometer Torque Wrench<br>6 pcs - 3/8"Dr Sockets : 10,12,14,17,19,21 mm<br>4 pcs - 3/8"Dr Hex Socket Bit : 4,5,6,8 mm |

## ► Interchangeable Torque Handle Set (8 pcs/set)



| Part No.  | Range      | Contents  |
|-----------|------------|---|
| PATP-80N8 | 15-80 Nm   | 1 pce - Interchangeable Torque Handle - 14X18<br>1 pce - 1/2"Dr Ratchet Head - 14X18<br>6 pcs - Open End Head - 14X18 : 17,22,24,26,27,29 mm    |
| PATP-60F8 | 10-60ft.lb | 1 pce - Interchangeable Torque Handle - 14 X 18<br>1 pce - 1/2"Dr Ratchet Head - 14 X 18<br>6 pcs - Open End Head -14X18 : 17,22,24,26,27,29 mm |



**WARNING!**

Wear safety goggles at all time. (User and bystanders). Do not use chrome or handtools with power wrenches  
Use only impact sockets and accessories with power impact wrenches

## ► Interchangeable Torque Handle Set (11 pcs/set)



| Part No.  | Range       | Contents  |
|-----------|-------------|---|
| PTW-N11NM | 40-210Nm    | 1 pce - Interchangeable Torque Wrench - 14X18<br>1 pce - 1/2" Dr Ratchet - 14X18<br>9 pcs - Open End Heads - 14X18 : 13,14,15,17,19,22,24,27,30mm |
| PTW-N11FT | 30-150ft.lb | 1 pce - Interchangeable Torque Wrench - 14X18<br>1 pce - 1/2" Dr Ratchet - 14X18<br>9 pcs - Open End Heads - 14X18 : 13,14,15,17,19,22,24,27,30mm |

## ► Interchangeable Torque Handle Set (8 pcs/set)



| Part No.    | Range       | Contents  |
|-------------|-------------|---|
| PATP-210N/8 | 40-210Nm    | 1 pce - Interchangeable Torque Handle - 14X18<br>7 pcs - Hook & Collet Head - 14X18 : OZ16,OZ25,OZ32,TG75,TG100, TG150, MLC12 |
| PATP-150F/8 | 30-150ft.lb | 1 pce - Interchangeable Torque Handle - 14X18<br>7 pcs - Hook & Collet Head - 14X18 : OZ16,OZ25,OZ32,TG75,TG100, TG150, MLC12 |



**WARNING!**

Wear safety goggles at all time. (User and bystanders). Do not use chrome or handtools with power wrenches  
Use only impact sockets and accessories with power impact wrenches

# TORQUE WRENCH

## ► Torque Handle Set (11 pcs/set)



| Part No.    | Range       | Contents  |
|-------------|-------------|---|
| PMIT15N11   | 3-15Nm      | 1 pce - Interchangeable Torque Handle 3-15Nm - 9X12<br>1 pce - 1/4"Dr Ratchet Handle - 9X12<br>9 pcs - Open End Head - 9X12 : 5.1 ,5.8 ,6.1 ,6.3 ,6.4 ,6.5 ,6.7 ,6.9mm, 6TP-Spline      |
| PMIT-150I11 | 30-150in.lb | 1 pce - Interchangeable Torque Handle 30-150in.lb - 9X12<br>1 pce - 1/4"Dr Ratchet Handle - 9X12<br>9 pcs - Open End Head - 9X12 : 5.1 ,5.8 ,6.1 ,6.3 ,6.4 ,6.5 ,6.7 ,6.9mm, 6TP-Spline |

## ► Preset Torque Screwdriver



| Part No.  | Square Drive | Range                 | L (mm) | Weight (kg) |
|-----------|--------------|-----------------------|--------|-------------|
| PFTD-3.5N | 4mm          | 0.5-3.5Nm / 5-35in.lb | 130    | 130         |



| Part No.   | Square Drive | Range   | L (mm) | Weight (kg) |
|------------|--------------|---------|--------|-------------|
| PFTD-L-5N  | 6.35mm       | 3.5-5Nm | 150    | 158         |
| PFTD-L-12N | 6.35mm       | 6-12Nm  | 160    | 173         |



**WARNING!**

Wear safety goggles at all time. (User and bystanders). Do not use chrome or handtools with power wrenches  
Use only impact sockets and accessories with power impact wrenches

# TORQUE WRENCH

## ► Torque Screwdriver Set

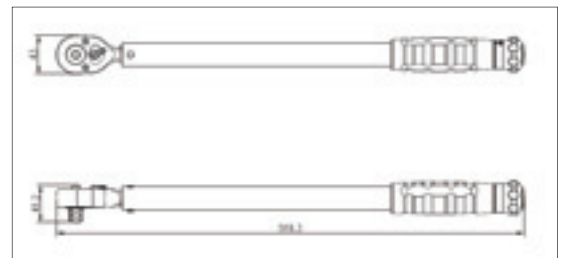


| Part No.  | Square Drive | Capacity   | Contents   |
|-----------|--------------|------------|--|
| PTS-B14FT | 1/4"         | 10-50in-lb | Star Bits : T-10, T-15, T-20, T-25, T-30, T-40<br>Hex Bits : 3, 4, 5, 6<br>Slotted Bits : 4, 6<br>Philips Bits : 0X2, 1X2, 2X2, 3X2<br>Bit Holder For 6.35mm use |
| PTS-B14NM | 1/4"         | 1-5Nm      | Star Bits : T-10, T-15, T-20, T-25, T-30, T-40<br>Hex Bits : 3, 4, 5, 6<br>Slotted Bits : 4, 6<br>Philips Bits : 0X2, 1X2, 2X2, 3X2<br>Bit Holder For 6.35mm use |

## ► Preset 3-IN-1 Torque Wrench Set



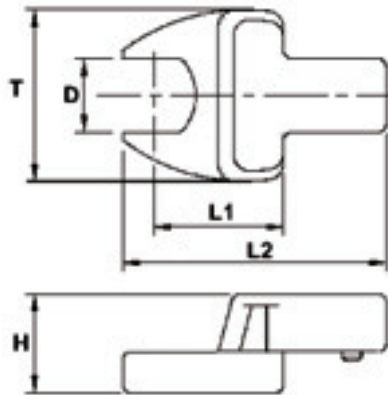
| Part No.  | Square Drive | Preset Range    | Weight (kg) |
|-----------|--------------|-----------------|-------------|
| PSEK-108N | 1/2"         | 85N, 103N, 108N | 12.3        |



**WARNING!**

Wear safety goggles at all time. (User and bystanders). Do not use chrome or handtools with power wrenches  
Use only impact sockets and accessories with power impact wrenches

# TORQUE WRENCH



## ► Torque Handle Fittings (Open End Head)

| Part No.    | D (MM) | Head (MM) | T (MM) | H (MM) | L2 (MM) | L1 (MM) | Weight (Per Pce) g |
|-------------|--------|-----------|--------|--------|---------|---------|--------------------|
| PSH-0912-07 | 7      | 9X12      | 24.00  | 14.00  | 37.00   | 17.50   | 38                 |
| PSH-0912-08 | 8      | 9X12      | 24.00  | 14.00  | 37.00   | 17.50   | 38                 |
| PSH-0912-09 | 9      | 9X12      | 24.00  | 14.50  | 37.50   | 17.50   | 39                 |
| PSH-0912-10 | 10     | 9X12      | 30.00  | 14.50  | 38.50   | 17.50   | 42                 |
| PSH-0912-11 | 11     | 9X12      | 30.00  | 14.50  | 38.50   | 17.50   | 43                 |
| PSH-0912-12 | 12     | 9X12      | 30.00  | 16.00  | 39.50   | 17.50   | 48                 |
| PSH-0912-13 | 13     | 9X12      | 30.00  | 16.00  | 42.00   | 20.00   | 52                 |
| PSH-0912-14 | 14     | 9X12      | 35.00  | 17.00  | 42.00   | 20.00   | 59                 |
| PSH-0912-15 | 15     | 9X12      | 35.00  | 17.00  | 42.74   | 20.00   | 59                 |
| PSH-0912-16 | 16     | 9X12      | 38.00  | 17.50  | 43.20   | 20.00   | 67                 |
| PSH-0912-17 | 17     | 9X12      | 38.00  | 17.50  | 43.60   | 20.00   | 67                 |
| PSH-0912-18 | 18     | 9X12      | 42.00  | 18.00  | 46.00   | 22.00   | 75                 |
| PSH-0912-19 | 19     | 9X12      | 42.00  | 18.00  | 46.43   | 22.00   | 75                 |
| PSH-1418-13 | 13     | 14X18     | 35.00  | 21.00  | 62.50   | 32.00   | 148                |
| PSH-1418-14 | 14     | 14X18     | 35.00  | 22.00  | 63.00   | 32.00   | 154                |
| PSH-1418-15 | 15     | 14X18     | 35.00  | 22.50  | 64.00   | 32.00   | 154                |
| PSH-1418-16 | 16     | 14X18     | 38.00  | 23.00  | 64.00   | 32.00   | 173                |
| PSH-1418-17 | 17     | 14X18     | 38.00  | 23.00  | 64.00   | 32.00   | 173                |
| PSH-1418-18 | 18     | 14X18     | 42.00  | 24.00  | 65.00   | 32.00   | 192                |
| PSH-1418-19 | 19     | 14X18     | 42.00  | 24.50  | 65.00   | 32.00   | 193                |
| PSH-1418-21 | 21     | 14X18     | 50.00  | 25.00  | 66.00   | 32.00   | 217                |
| PSH-1418-22 | 22     | 14X18     | 53.00  | 26.00  | 66.00   | 32.00   | 222                |
| PSH-1418-24 | 24     | 14X18     | 53.00  | 26.00  | 67.00   | 32.00   | 225                |
| PSH-1418-26 | 26     | 14X18     | 60.00  | 27.00  | 70.00   | 33.00   | 273                |
| PSH-1418-27 | 27     | 14X18     | 60.00  | 27.00  | 70.00   | 34.00   | 281                |
| PSH-1418-29 | 29     | 14X18     | 66.00  | 28.00  | 74.00   | 36.00   | 312                |
| PSH-1418-30 | 30     | 14X18     | 66.00  | 28.00  | 74.00   | 36.00   | 312                |
| PSH-1418-32 | 32     | 14X18     | 66.00  | 28.50  | 76.50   | 37.50   | 322                |
| PSH-1418-34 | 34     | 14X18     | 73.00  | 28.50  | 82.40   | 43.00   | 365                |



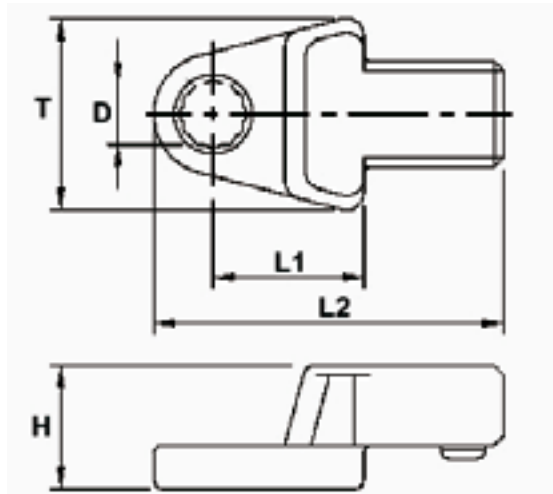
**WARNING!**

Wear safety goggles at all time. (User and bystanders). Do not use chrome or handtools with power wrenches  
Use only impact sockets and accessories with power impact wrenches

## ► Torque Handle Fittings (Open End Head)

| Part No.    | D (MM) | Head (MM) | T (MM) | H (MM) | L2 (MM) | L1 (MM) | Weight (Per Pce) g |
|-------------|--------|-----------|--------|--------|---------|---------|--------------------|
| PSH-1418-36 | 36     | 14X18     | 73.00  | 28.50  | 82.40   | 42.00   | 368                |
| PSH-1418-38 | 38     | 14X18     | 73.00  | 28.50  | 82.40   | 41.00   | 366                |
| PSH-1418-40 | 40     | 14X18     | 82.00  | 28.50  | 83.40   | 42.00   | 395                |
| PSH-1418-41 | 41     | 14X18     | 82.00  | 29.00  | 83.50   | 42.00   | 400                |
| PSH-1418-42 | 42     | 14X18     | 82.00  | 29.00  | 83.40   | 42.00   | 405                |
| PSH-1418-44 | 44     | 14X18     | 91.00  | 29.00  | 86.40   | 41.20   | 425                |
| PSH-1418-46 | 46     | 14X18     | 91.00  | 29.00  | 86.40   | 43.00   | 436                |

## ► Torque Handle Fittings (Ring End Head)



| Part No.     | D (MM) | Head (MM) | T (MM) | H (MM) | L2 (MM) | L1 (MM) | Weight (Per Pce) g |
|--------------|--------|-----------|--------|--------|---------|---------|--------------------|
| PSRH-0912-07 | 7      | 9 X 12    | 22.00  | 14.00  | 40.60   | 17.50   | 38                 |
| PSRH-0912-08 | 8      | 9 X 12    | 22.00  | 14.00  | 40.60   | 17.50   | 38                 |
| PSRH-0912-09 | 9      | 9 X 12    | 24.00  | 14.50  | 42.10   | 17.50   | 39                 |
| PSRH-0912-10 | 10     | 9 X 12    | 24.00  | 14.50  | 42.10   | 17.50   | 42                 |
| PSRH-0912-11 | 11     | 9 X 12    | 24.00  | 15.00  | 43.50   | 17.50   | 43                 |
| PSRH-0912-12 | 12     | 9 X 12    | 24.00  | 15.00  | 43.50   | 17.50   | 48                 |
| PSRH-0912-13 | 13     | 9 X 12    | 24.00  | 16.00  | 46.95   | 20.00   | 52                 |
| PSRH-0912-14 | 14     | 9 X 12    | 24.00  | 16.00  | 46.95   | 20.00   | 59                 |
| PSRH-0912-15 | 15     | 9 X 12    | 24.00  | 17.00  | 48.20   | 20.00   | 59                 |
| PSRH-0912-16 | 16     | 9 X 12    | 24.00  | 17.00  | 48.20   | 20.00   | 67                 |
| PSRH-0912-17 | 17     | 9 X 12    | 24.00  | 18.00  | 51.45   | 22.00   | 67                 |
| PSRH-0912-18 | 18     | 9 X 12    | 24.00  | 18.00  | 51.45   | 22.00   | 75                 |



**WARNING!**

Wear safety goggles at all time. (User and bystanders). Do not use chrome or handtools with power wrenches  
Use only impact sockets and accessories with power impact wrenches

# TORQUE WRENCH

## ► Torque Handle Fittings (Ring End Head)

| Part No.     | D (MM) | Head (MM) | T (MM) | H (MM) | L2 (MM) | L1 (MM) | Weight (Per Pce) g |
|--------------|--------|-----------|--------|--------|---------|---------|--------------------|
| PSRH-0912-19 | 19     | 9 X 12    | 24.00  | 18.00  | 51.45   | 22.00   | 75                 |
| PSRH-1418-13 | 13     | 14 X 18   | 35.00  | 22.00  | 70.40   | 32.00   | 148                |
| PSRH-1418-14 | 14     | 14 X 18   | 35.00  | 22.00  | 70.40   | 32.00   | 154                |
| PSRH-1418-15 | 15     | 14 X 18   | 35.00  | 22.00  | 70.40   | 32.00   | 154                |
| PSRH-1418-16 | 16     | 14 X 18   | 35.00  | 23.00  | 70.40   | 32.00   | 173                |
| PSRH-1418-17 | 17     | 14 X 18   | 35.00  | 23.00  | 70.40   | 32.00   | 173                |
| PSRH-1418-18 | 18     | 14 X 18   | 40.00  | 24.00  | 72.30   | 32.00   | 192                |
| PSRH-1418-19 | 19     | 14 X 18   | 40.00  | 24.00  | 72.30   | 32.00   | 193                |
| PSRH-1418-21 | 21     | 14 X 18   | 40.00  | 25.00  | 73.50   | 32.00   | 217                |
| PSRH-1418-22 | 22     | 14 X 18   | 40.00  | 25.00  | 74.40   | 32.00   | 222                |
| PSRH-1418-24 | 24     | 14 X 18   | 40.00  | 25.00  | 75.85   | 32.00   | 225                |
| PSRH-1418-26 | 26     | 14 X 18   | 40.00  | 25.00  | 75.85   | 32.00   | 273                |
| PSRH-1418-27 | 27     | 14 X 18   | 40.00  | 27.00  | 79.40   | 34.00   | 281                |
| PSRH-1418-29 | 29     | 14 X 18   | 40.00  | 28.00  | 82.40   | 36.00   | 312                |
| PSRH-1418-30 | 30     | 14 X 18   | 40.00  | 28.00  | 82.40   | 36.00   | 312                |
| PSRH-1418-32 | 32     | 14 X 18   | 40.00  | 28.00  | 83.65   | 36.00   | 322                |
| PSRH-1418-34 | 34     | 14 X 18   | 40.00  | 29.00  | 86.90   | 38.00   | 365                |
| PSRH-1418-36 | 36     | 14 X 18   | 40.00  | 29.00  | 88.15   | 38.00   | 368                |
| PSRH-1418-38 | 38     | 14 X 18   | 40.00  | 30.00  | 91.40   | 40.00   | 370                |
| PSRH-1418-40 | 40     | 14 X 18   | 40.00  | 30.00  | 92.65   | 40.00   | 395                |
| PSRH-1418-41 | 41     | 14 X 18   | 40.00  | 31.00  | 95.90   | 42.00   | 400                |
| PSRH-1418-42 | 42     | 14 X 18   | 40.00  | 31.00  | 95.90   | 42.00   | 405                |
| PSRH-1418-44 | 44     | 14 X 18   | 40.00  | 31.00  | 99.15   | 44.00   | 425                |
| PSRH-1418-46 | 46     | 14 X 18   | 40.00  | 31.00  | 100.40  | 44.00   | 436                |



**WARNING!**

Wear safety goggles at all time. (User and bystanders). Do not use chrome or handtools with power wrenches  
Use only impact sockets and accessories with power impact wrenches